

3 CAPACITY PLATES

6.4 m REACH

900kg

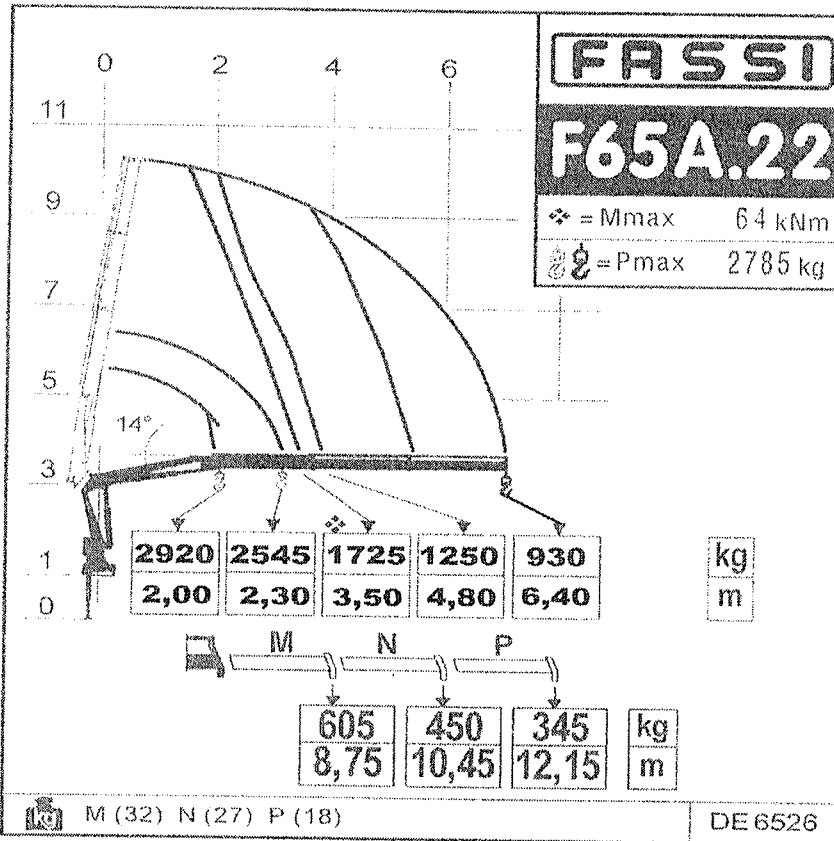
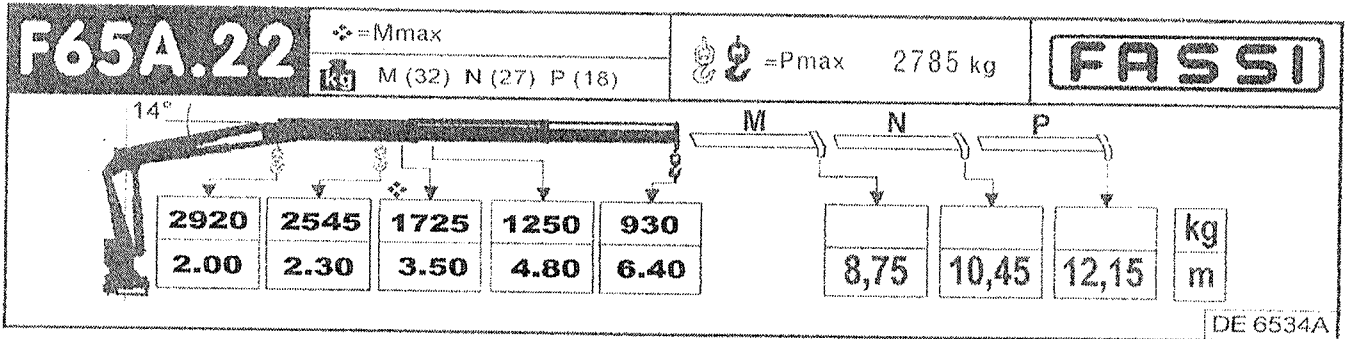
3.1 Generality

The represented plates refer to the nominal design capacities.

(!) WARNING (!)

If the capacities are downgraded or partially reduced (e.g. sector in front of vehicle cab) capacity plates must be applied in line with the final test figures.

3.2 Capacity plates with lifting moment limiting device



FASSI

STABILISER RAM GROUND PRESSURES

FASSI

This information is also contained in the use & maintenance manual supplied with the crane

MAX REACTION ON STABILISERS				
MODEL	NEW	Max reaction	Ø ground pad	Specific reaction
F65AK	F65AK.0	daN 4994	mm 180	daN/cm ² 19.6
		lbf 11227	inch 7.087	psi 284.64