

EX75URT



Moment Limiter

To prevent tipping-over due to overload, sounds buzzer and stops crane operation automatically (hook hoisting, boom lowering and boom extending) when reaching the limit. Indicates digitally the rated load, actual load, working radius, boom length and boom angle. Also, indicates the load factor.



Moment limiter

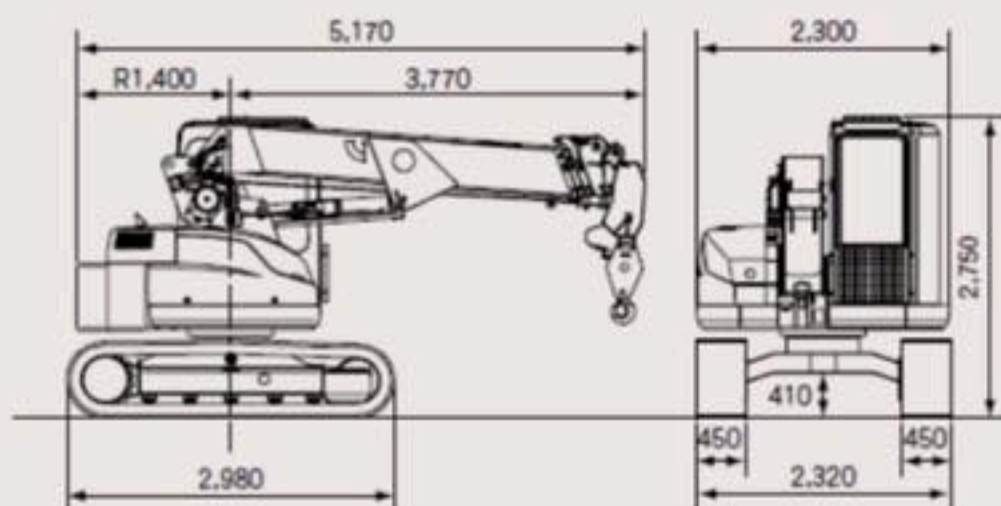
Working Range Limiter

Can set arbitrarily the boom angle (upper and lower limits) and maximum working radius. Stops crane operation automatically when exceeding the setting for smooth, dependable working near power lines and elevated structures.

Safe Load Indicator may vary per country.

Dimensions

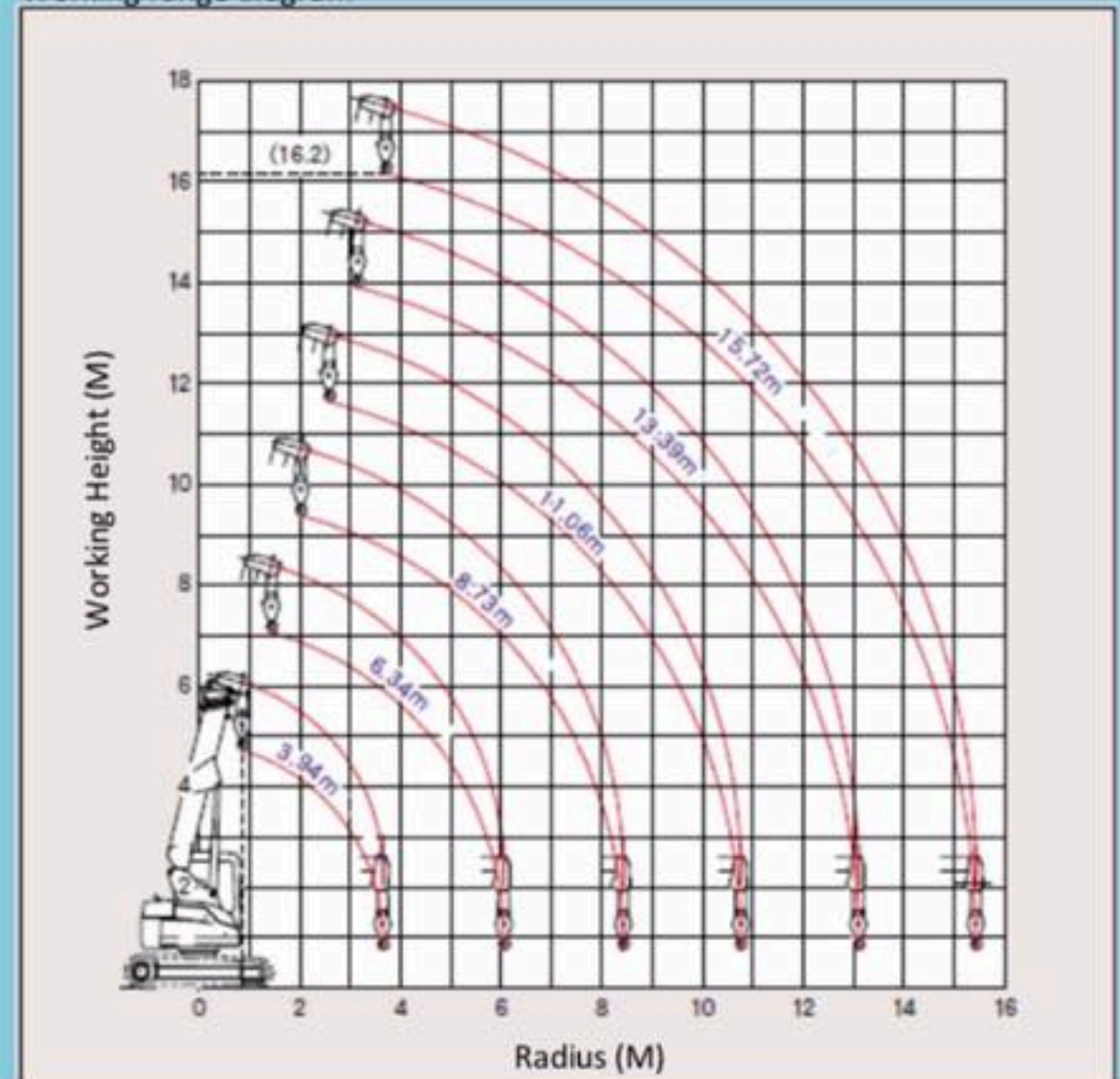
Unit: mm



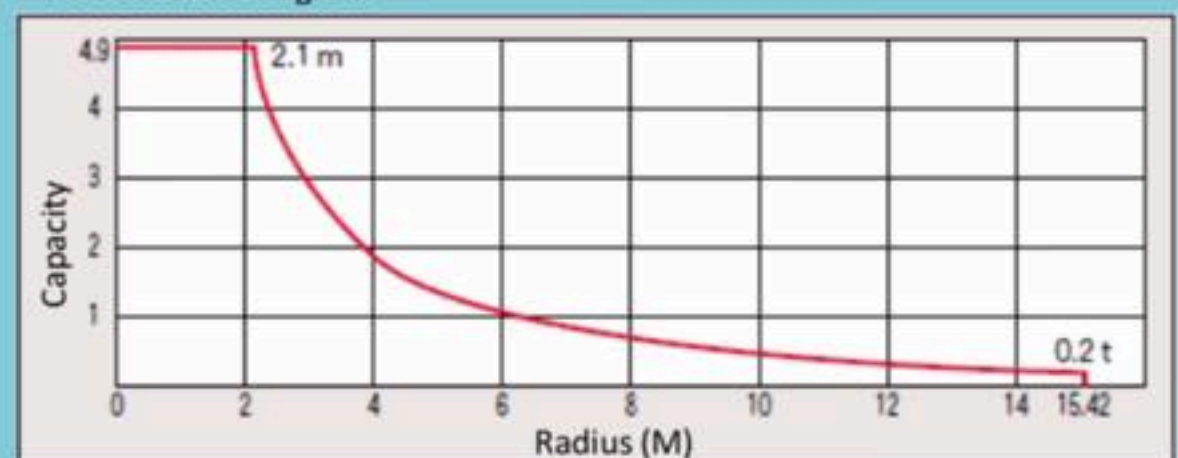
Specifications

		EX75URT-5
Operating Weight	kg	9,800
Max lifting x Working radius	t X m	4.9 x 2.1
Max hook lift above ground	m	16.2 (4 falls)
Max lift below ground	m	36.0
Boom length	m	3.94 ~ 15.72
Boom hoist angle		-3° ~ 76°
Boom hoisting speed	s	13.5 (-3° ~ 76°)
Boom extending speed	s	11.78 - 20.0 (2~6)
Hoist rope speed	m/min	High 74 / Low 46
Hoist rope	mm x m	10 x 160
Engine		Isuzu A-4JG1
Engine output	Kw/min(PS/rpm)	40.5/1,900 (55.0/1,900)
Swing speed	min ⁻¹ (rpm)	2.5 (2.5)
Travel speed	km/h	3.3

Working range diagram



Performance Diagram



These specifications are subject to change without notice. Illustrations and photos show the standard models, and may or may not include optional equipment, accessories, and all standard equipment with some differences in color and features. Before use, go through Operator's Manual for proper operation.

Hitachi Construction Machinery (Europe) NV

Souvereinstraat 16, 4903 RH Oosterhout, P.O. Box 404, 4900AK Oosterhout, (The Netherlands)

Telephone : +31(0)162 48 4400

Facsimile : +31(0)162 45 74 53

URL : www.hcme.com

Schildweg 5, Haven 5112, 1045 AT Amsterdam, P.O. Box 59239, 1040 KE Amsterdam, (The Netherlands)

Telephone : +31(0)20 44 76 700

Facsimile : +31(0)20 33 44 045

URL : www.hcme.com

HITACHI EX75URT-5 RATED CAPACITY CHARTS

Unit: KG

Working Radius (Metres)	3.94 Meter Boom				6.34 Meter Boom				8.73 Meter Boom				11.06 Meter Boom		13.39 Meter Boom		15.72 Meter Boom	
	STATIC	MOBILE	STATIC	MOBILE	STATIC	MOBILE	STATIC	MOBILE	STATIC	MOBILE	STATIC	MOBILE	STATIC	STATIC	STATIC	STATIC	STATIC	STATIC
Rope parts	4		2		4		2		4		2		4	2	4	2	4	2
2.00	4900	2000	2500	1250	4900	2000	2500	1250										
2.10	4900	2000	2500	1250	4670	2000	2500	1250										
2.50	3910	1955	2500	1250	3850	1925	2500	1250	2930	1465	2500	1260						
2.90	3100	1550	2500	1250	3090	1545	2500	1250	2930	1465	2500	1250						
3.00	2900	1450	2500	1250	2900	1450	2500	1250	2810	1405	2500	1250	2030	2030				
3.30	2500	1250	2500	1250	2500	1250	2500	1250	2500	1250	2500	1250	2030	2030				
3.50	2300	1150	2300	1150	2310	1155	2310	1155	2250	1125	2250	1125	2030	2030				
3.64	2200	1100	2200	1100	2180	1090	2180	1090	2130	1065	2130	1065	2030	2030				
3.70					2130	1065	2130	1065	2090	1045	2090	1045	2030	2030	1250	1250		
4.00					1880	940	1880	940	1850	925	1850	925	1880	1880	1200	1200		
4.50					1570	785	1570	785	1550	775	1550	775	1580	1580	1100	1100		
5.00					1340	670	1340	670	1340	670	1340	670	1350	1350	1020	1020	650	650
5.40					1200	600	1200	600	1200	600	1200	600	1200	1200	980	980	590	590
5.50					1160	580	1160	580	1160	580	1160	580	1170	1170	970	970	580	580
6.00					1020	510	1020	510	1030	515	1030	515	1040	1040	870	870	530	530
6.04					1010	505	1010	505	1020	510	1020	510	1030	1030	860	860	480	480
6.50									880	440	880	440	920	920	790	790	430	430
7.00									780	390	780	390	820	820	720	720	380	380
8.00									620	310	620	310	670	670	640	640	380	380
8.43									580	290	580	290	620	620	610	610	350	350
9.00													560	560	570	570	330	330
10.00													470	470	500	500	290	290
10.76													410	410	440	440	270	270
11.00															420	420	270	270
12.00															360	360	250	250
13.00															310	310	230	230
13.09															310	310	230	230
14.00																	210	210
15.00																	200	200
15.42																	200	200

Based on: BS 1757:1986

DIN 15019-2

75% of tipping loads

EX75URT



Moment Limiter

To prevent tipping-over due to overload, sounds buzzer and stops crane operation automatically (hook hoisting, boom lowering and boom extending) when reaching the limit. Indicates digitally the rated load, actual load, working radius, boom length and boom angle. Also, indicates the load factor.



Moment limiter

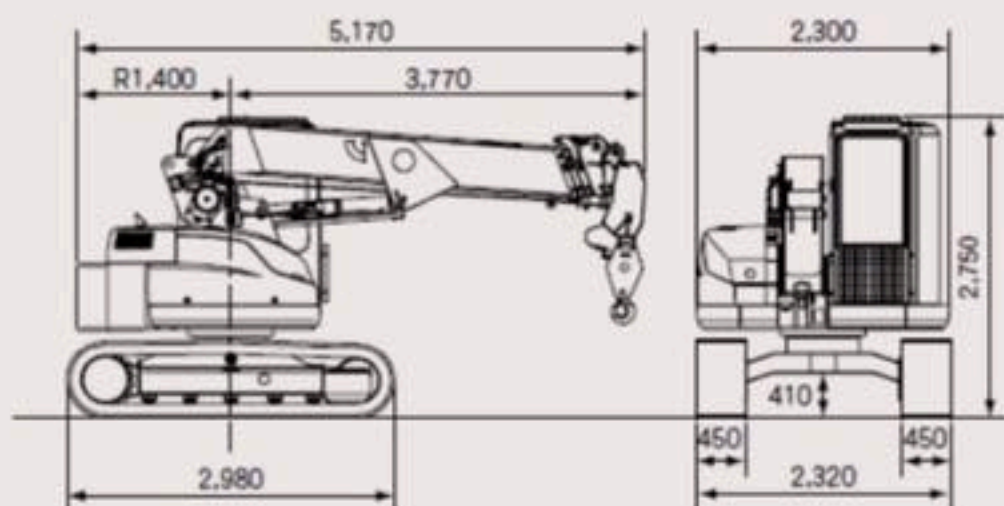
Working Range Limiter

Can set arbitrarily the boom angle (upper and lower limits) and maximum working radius. Stops crane operation automatically when exceeding the setting for smooth, dependable working near power lines and elevated structures.

Safe Load Indicator may vary per country.

Dimensions

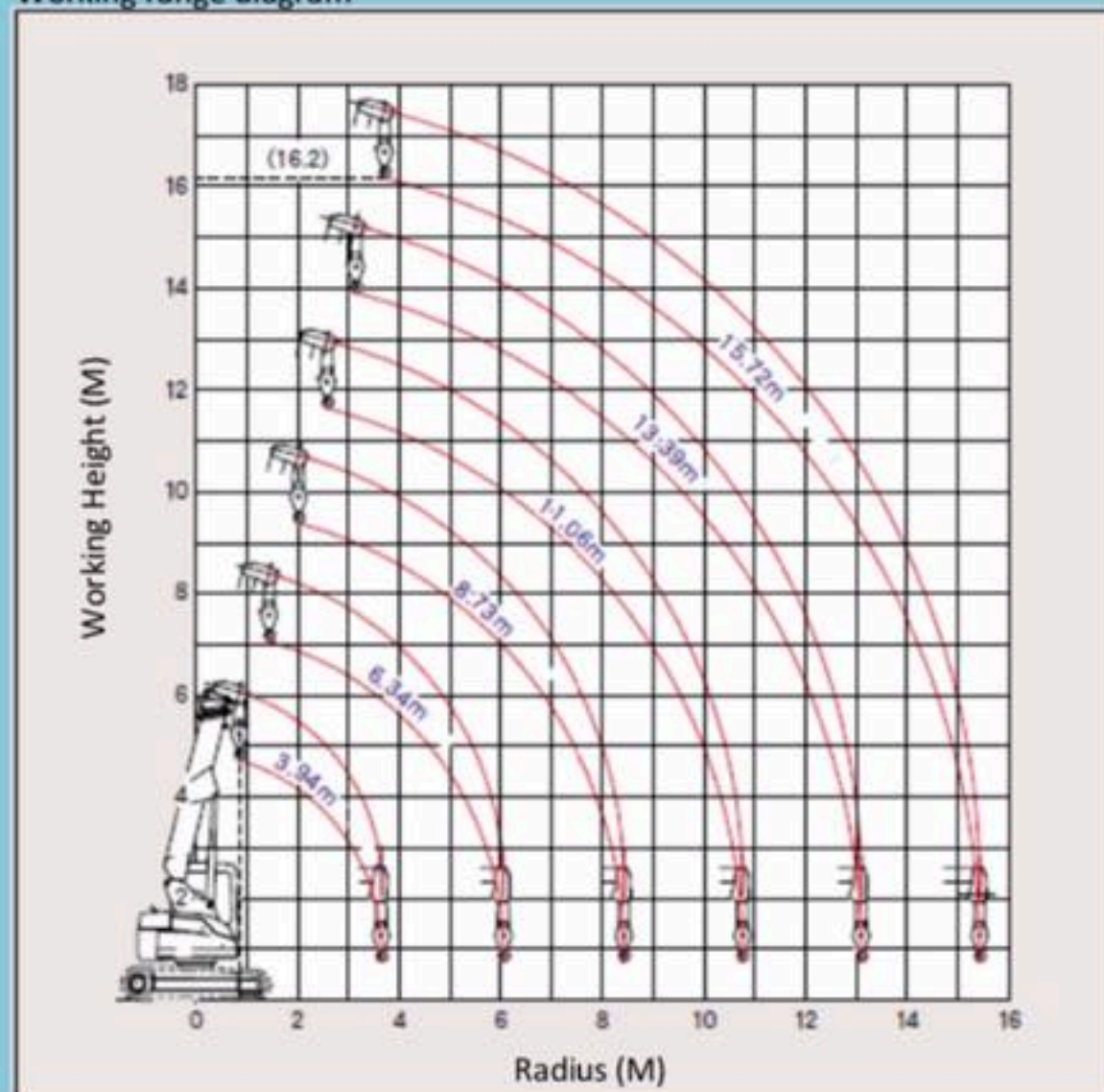
Unit: mm



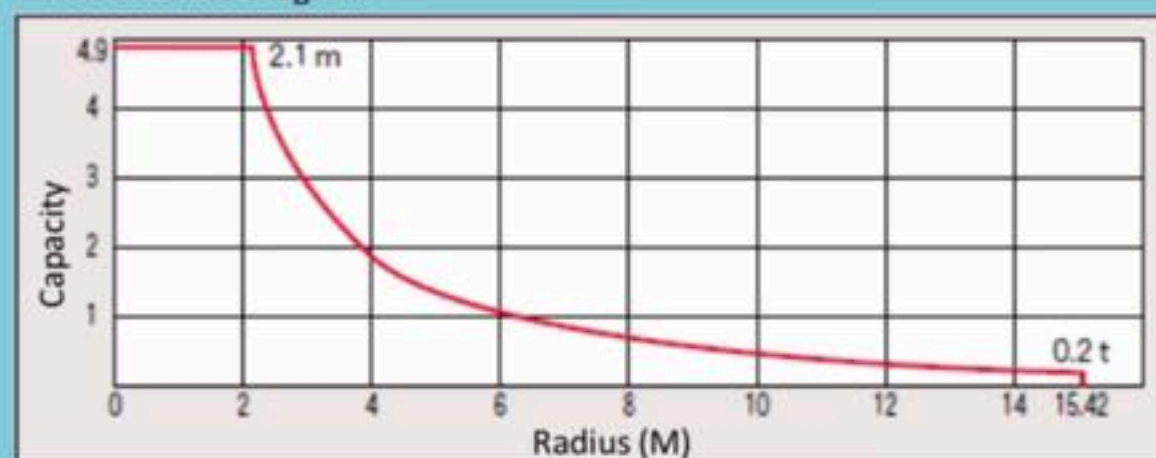
Specifications

		EX75URT-5
Operating Weight	kg	9,800
Max lifting x Working radius	t X m	4.9 x 2.1
Max hook lift above ground	m	16.2 (4 falls)
Max lift below ground	m	36.0
Boom length	m	3.94 ~ 15.72
Boom hoist angle		-3° ~ 76°
Boom hoisting speed	s	13.5 (-3° ~ 76°)
Boom extending speed	s	11.78 - 20.0 (2~6)
Hoist rope speed	m/min	High 74 / Low 46
Hoist rope	mm x m	10 x 160
Engine		Isuzu A-4JG1
Engine output	Kw/min(PS/rpm)	40.5/1,900 (55.0/1,900)
Swing speed	min ⁻¹ (rpm)	2.5 (2.5)
Travel speed	km/h	3.3

Working range diagram



Performance Diagram



These specifications are subject to change without notice. Illustrations and photos show the standard models, and may or may not include optional equipment, accessories, and all standard equipment with some differences in color and features. Before use, go through Operator's Manual for proper operation.

Hitachi Construction Machinery (Europe) NV

Souvereinstraat 16, 4903 RH Oosterhout, P.O. Box 404, 4900AK Oosterhout, (The Netherlands)

Telephone : +31(0)162 48 4400

Facsimile : +31(0)162 45 74 53

URL : www.hcme.com

Schildweg 5, Haven 5112, 1045 AT Amsterdam, P.O. Box 59239, 1040 KE Amsterdam, (The Netherlands)

Telephone : +31(0)20 44 76 700

Facsimile : +31(0)20 33 44 045

URL : www.hcme.com